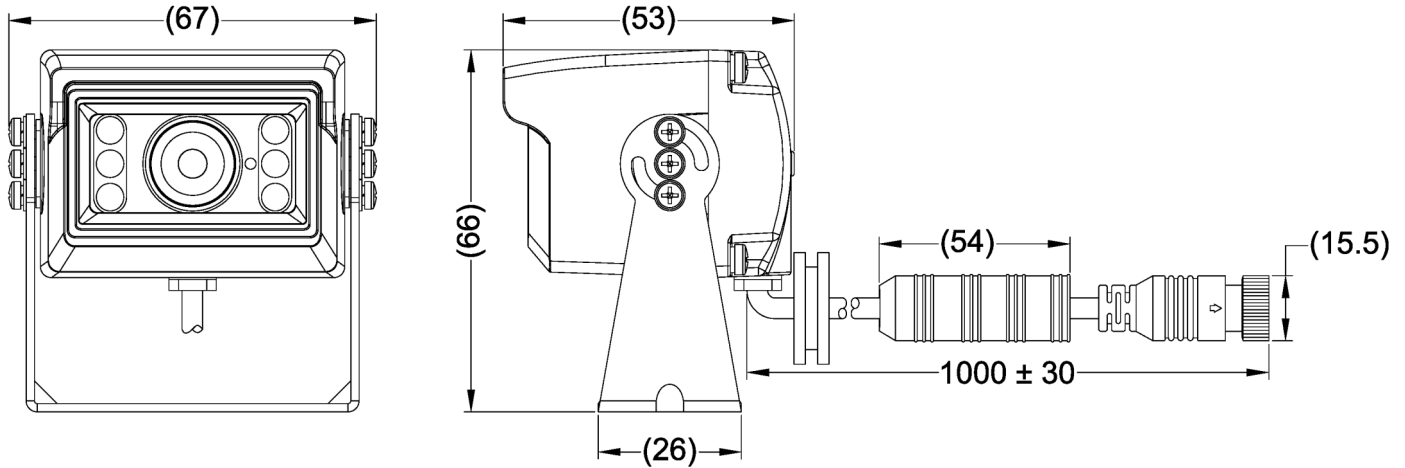


Product Specification



Brigade Model Number: VBV-620C | VBV-621C
 Brigade Part Number: 3863B | 3864B



Product Specification

Dimensions: mm

Environmental Specifications:

- Shock Rating: 51g
- Vibration Rating: 4g (3 axis each 32hr random)
- Camera IP Rating: IP69K
- Connector IP Rating: IP67
- Operating Temperature: -30° to +70°C
- Storage Temperature: -40° to +85°C

Approved Standards:

- CE - (EN 61000-6-2:2005 + AC:2005
EN 61000-6-3:2007 + A1:2011 + AC:2012)
- 'E' Mark - (UNECE Regulation 10 Rev 05)
- FCC - (47 CFR Part 15 Subpart B)
- IC - (ICES-003 - Issue 6)
- Ingress Protection - (ISO 20653:2006)
- RoHS
- WEEE

Technical Specifications:

- Operating Voltage: 12 Vdc ± 2 Vdc
- Current Consumption: ≤115mA @ 12 Vdc
- Power Consumption: ≤1.4 Watts @ 12 Vdc
- Imaging Devices: CMOS - 1/3" Pixel Plus
- TV System:
 - VBV-620C CVBS (PAL)
 - VBV-621C CVBS (NTSC)
- Picture Elements: 976(H) x 592(V)
- Horizontal Visual Resolution:
 - VBV-620C 600 TV Lines
 - VBV-621C 600 TV Lines
- Lens Focal Length: 2.8mm ± 5%
- Signal to Noise Ratio: 43.3 dB

Technical Specifications Continued...

- Required Illumination: 0 Lux (IR LEDs ON)
- Illumination Area: Approx. 8m (L) x 3m (W)
- Viewing Angle: 95°(H), 70°(V), 120°(D)
- Assembled Weight: Approx. 250 grams
- Video Output: 1.0 Vp-p / 75Ω
- Length of Cable: 1000 ± 30mm
- Overall Dimensions: 67mm (W) x 53mm (D) x 66mm (H)
- Casing Material: Aluminium Alloy
- Camera View: Mirror Fixed
- Finish: Black Powder Coating

Features:

- High Quality Pixel Plus CMOS device
- Integrated Day/Night Sensor to enable IR LEDs.
- 6 x High Power Infrared LEDs
- Back Light Compensation
- Automatic White Balance
- Fixed IRIS
- VBV Type Female Connector

Package Contents:

- 1 x VBV-62XC - Camera
 - 1 x VBV-620C-C for CVBS (PAL)
 - 1 x VBV-621C-C for CVBS (NTSC)
- 1 x VBV-62XC-BKT - Bracket
- 1 x VBV-62XC-FIX - Fixing Pack
- 1 x VBV-62XC-IG - Installation Guide

